

NWCA -51 -? F -E WR-51 to 2.92mm Female, End Launch

Features:
* Low VSWR

Applications:
* Wireless
* Transmitter
* Laboratory Test
* Radar

Electrical

Frequency: 14.5~22GHz
VSWR: 1.2 max.
Impedance: 50Ω

Mechanical

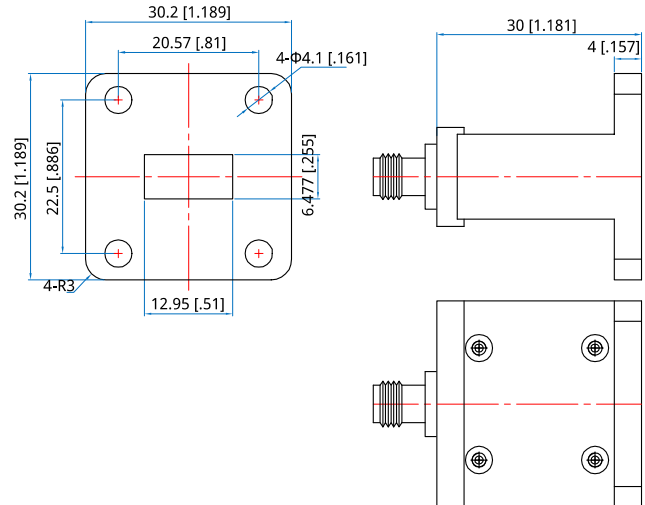
Length: 30mm
1.181in
RF Connectors: 2.92mm Female
Interface: WR-51
Flange: FBP180
Material: Copper

How To Order

NWCA-51-KF-E

Customization is available upon request.

Outline Drawings



Unit: mm [in]
Tolerance: ±0.2mm [±0.008in]

