

NSP44

4.3-10 to 4.3-10

Features:
* Broadband

Applications:
* Any Applications

Electrical

Frequency:	DC~3GHz
VSWR:	1.2 max.
RF Power Transmission:	400W
Dielectric Withstanding Voltage:	2500V RMS, 50Hz, at sea level, min.
Working Voltage (DC):	230V*1
Lightning Surge Current:	10kA
Ground Wire Diameter:	4 mm ² max.
Impedance of Dielectric (Center):	5000MΩ min.
Impedance of Contact (Outer):	1mΩ max.
Impedance of Contact (Inner):	1mΩ max.
Impedance:	50Ω

[1] Default 230V, available for 90V, 150V, 350V and 600V.

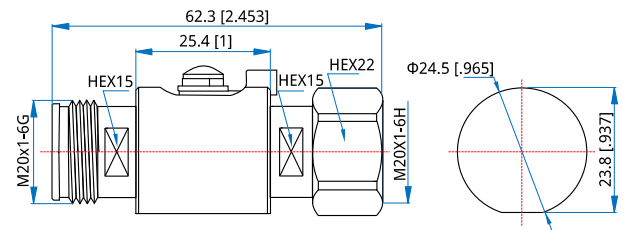
Mechanical

RF Connector:	4.3-10
Mating Life Cycle:	500 cycles min.
Outer Conductor:	Nickel plated brass
Dielectric:	PTFE
Inner Conductor:	Gold plated brass

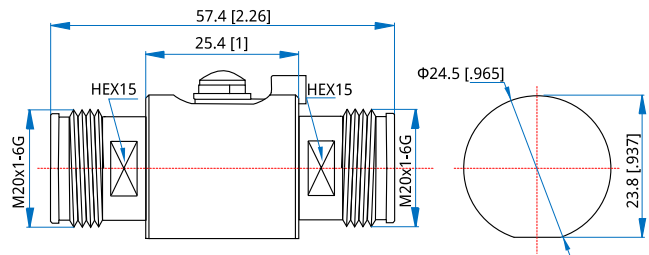
Environmental

Temperature:	-45~+125°C
--------------	------------

Outline Drawings



Outline A



Outline B

Unit: mm [in]
Tolerance: ±0.2mm [±0.008in]

How To Order

NSP44-MF-03 - 4.3-10(m) to 4.3-10(f), DC~3GHz, Outline A
NSP44-FF-03 - 4.3-10(f) to 4.3-10(f), DC~3GHz, Outline B

Customization is available upon request.

NSP77

7/16 DIN to 7/16 DIN

Features:
* Broadband

Applications:
* Any Applications

Electrical

Frequency:	DC~3GHz
VSWR:	1.2 max.
Insertion Loss:	0.4dB max.
RF Power Transmission:	2500W
Lightning Surge Current:	10kA
Ground Wire Diameter:	6 mm ² max
Impedance of Dielectric:	5000MΩ min.
Impedance of Contact (Center):	0.4mΩ max.
Impedance of Contact (Outer):	0.2mΩ max.
Impedance:	50Ω

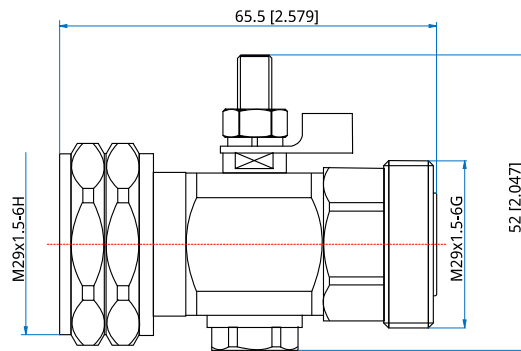
Mechanical

RF Connector:	7/16 DIN
Mating Life Cycle:	500 cycles min.
Outer Conductor:	Nickel plated brass
Dielectric:	PTFE
Inner Conductor:	Silver plated brass

Environmental

Temperature:	-40~+85°C
--------------	-----------

Outline Drawings



Outline A

Unit: mm [in]
Tolerance: ±0.2mm [±0.008in]

How To Order

NSP77-MF-03 - 7/16 DIN(m) to 7/16 DIN(f), DC~3GHz, Outline A

Customization is available upon request.



NSPBB

BNC to BNC

Features:
* Broadband

Applications:
* Any Applications

Electrical

Frequency:	DC~3GHz
VSWR:	1.2 max.
RF Power Transmission:	200W
Dielectric Withstanding Voltage:	2500V RMS, 50Hz, at sea level, min.
Working Voltage (DC):	230V*1
Lightning Surge Current:	20kA
Ground Wire Diameter:	8mm ² max.
Impedance of Dielectric:	500MΩ min.
Impedance of Contact (Center):	1.5mΩ max.
Impedance of Contact (Outer):	1mΩ max.
Impedance:	50Ω

[1] Default 230V, available for 90V, 150V, 350V and 600V.

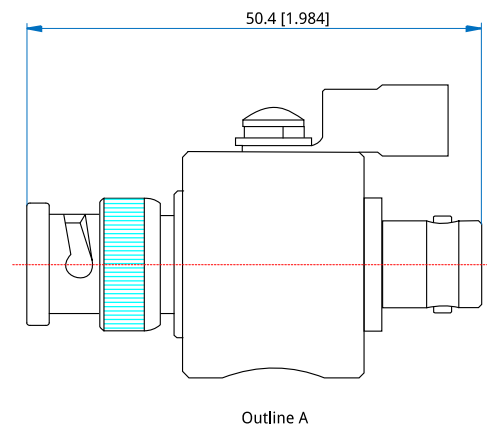
Mechanical

RF Connector:	BNC
Mating Life Cycle:	500 cycles min.
Outer Conductor:	Ternary alloy plated brass
Dielectric:	PTFE
Inner Conductor:	Gold plated brass
Gaskets:	Stainless steel

Environmental

Temperature: -40~+85°C

Outline Drawings



Unit: mm [in]

Tolerance: ±0.2mm [±0.008in]

How To Order

NSPBB-MF-03 - BNC(m) to BNC(f), DC~3GHz, Outline A

Customization is available upon request.

NSPFF

F to F

Features:
* Broadband

Applications:
* Any Applications

Electrical

Frequency:	DC~3GHz
VSWR:	1.2 max.
Insertion Loss:	0.25dB max.
RF Power Transmission:	200W
Dielectric Withstanding Voltage:	500V RMS, 50Hz, at sea level, min.
Working Voltage (DC):	230V*1
Lightning Surge Current:	20kA
Ground Wire Diameter:	8 mm ² max.
Impedance of Dielectric:	1000MΩ min.
Impedance:	75Ω

[1] Default 230V, available for 90V, 150V, 350V and 600V.

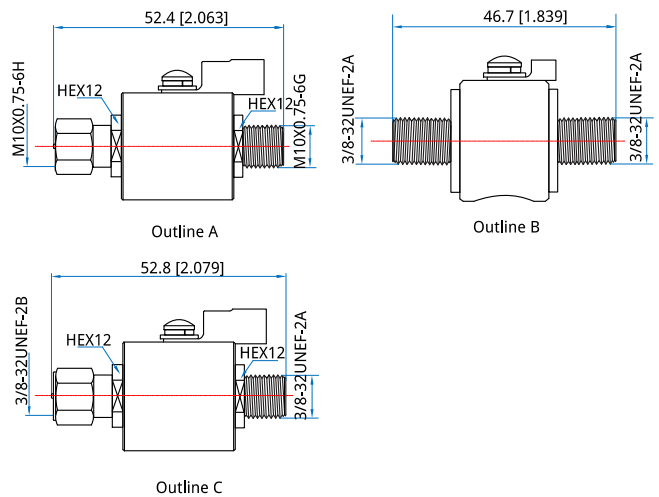
Mechanical

RF Connector:	F
Mating Life Cycle:	500 cycles min.
Outer Conductor:	Ternary alloy plated brass
Dielectric:	PTFE
Inner Conductor:	Gold plated brass
Gaskets:	Stainless steel

Environmental

Temperature:	-40~+85°C
Ingress Protection (IP) Rating:	IP 67
Relative Humidity:	95% max. @25°C±2°C

Outline Drawings



Unit: mm [in]
Tolerance: ±0.2mm [±0.008in]

How To Order

NSPFF-MF-03-MT - F(m) Metric Thread to F (f) Metric Thread, DC~3GHz, Outline A

NSPFF-FF-03-IT - F (f) Inch Thread to F (f) Inch Thread, DC~3GHz, Outline B

NSPFF-MF-03-IT - F (m) Inch Thread to F (f) Inch Thread, DC~3GHz, Outline C

Customization is available upon request.

NSPNN

N to N

Features:
* Broadband

Applications:
* Any Applications

Electrical

Frequency:	DC~3GHz DC~6GHz (Outline D)
VSWR:	1.2 max.
Insertion Loss:	0.25dB max.
RF Power Transmission:	200W
Dielectric Withstanding Voltage:	2500V RMS, 50Hz, at sea level, min.
Working Voltage (DC):	230V*1
Lightning Surge Current:	20kA
Ground Wire Diameter:	4 mm ² max. 6mm ² max. (Outline D)
Impedance of Dielectric:	5000MΩ min.
Impedance of Contact (Center):	0.4mΩ max.
Impedance of Contact (Outer):	0.4mΩ max.
Impedance:	50Ω

[1] Default 230V, available for 90V, 150V, 350V and 600V.

Mechanical

RF Connector:	N
Mating Life Cycle:	500 cycles min.
Outer Conductor:	Ternary alloy plated brass
Dielectric:	PTFE
Inner Conductor:	Gold plated brass
Gaskets:	Stainless steel

Environmental

Temperature:	-40~+85°C
Ingress Protection (IP) Rating:	IP 67
Relative Humidity:	95% max. @25°C±2°C

How To Order

NSPNN-MF-03-1 - N(m) to N(f), DC~3GHz, Cylinder, Outline A

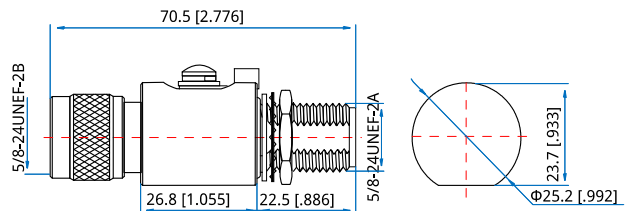
NSPNN-MF-03-2 - N(m) to N(f), DC~3GHz, Cuboid, Outline B

NSPNN-FF-03 - N(f) to N(f), DC~3GHz, Outline C

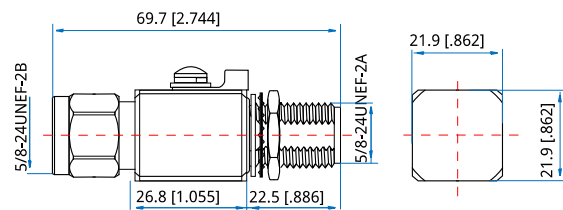
NSPNN-MF-06 - N(m) to N(f), DC~6GHz, Outline D

Customization is available upon request.

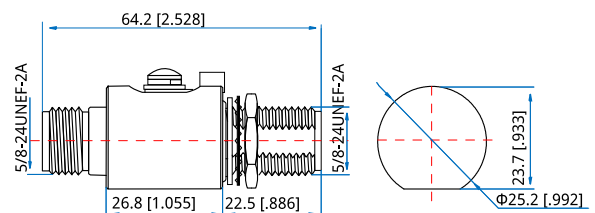
Outline Drawings



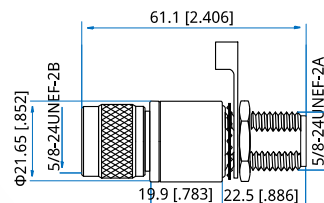
Outline A



Outline B



Outline C



Outline D

Unit: mm [in]

Tolerance: ±0.2mm [±0.008in]

NSPSS

SMA to SMA

Features:
* Broadband

Applications:
* Any Applications

Electrical

Frequency:	DC~3GHz DC~6GHz (Outline C)
VSWR:	1.2 max.
Insertion Loss:	0.25dB max.
RF Power Transmission:	200W
Dielectric Withstanding Voltage:	2500V RMS, 50Hz, at sea level, min.
Working Voltage (DC):	230V*1
Lightning Surge Current:	20kA
Ground Wire Diameter:	8 mm ² max.
Impedance of Dielectric (Center):	1000MΩ min.
Impedance of Contact (Center):	2mΩ max.
Impedance of Contact (Outer):	2.5mΩ max.
Impedance:	50Ω

[1] Default 230V, available for 90V, 150V, 350V and 600V.

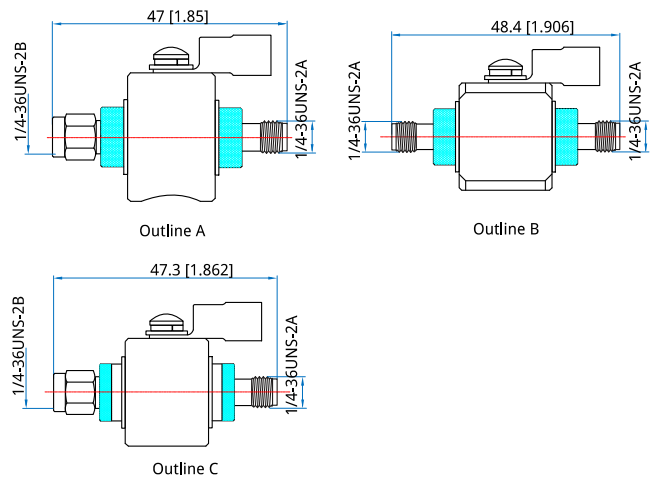
Mechanical

RF Connector:	SMA
Mating Life Cycle:	500 cycles min.
Outer Conductor:	Ternary alloy plated brass
Dielectric:	PTFE
Inner Conductor:	Gold plated brass
Gaskets:	Stainless steel

Environmental

Temperature:	-40~+85°C
Ingress Protection (IP) Rating:	IP 67
Relative Humidity:	95% max. @25°C±2°C

Outline Drawings



Unit: mm [in]

Tolerance: ±0.2mm [±0.008in]

How To Order

NSPSS-MF-03 - SMA(m) to SMA(f), DC~3GHz, Outline A

NSPSS-FF-03 - SMA(f) to SMA(f), DC~3GHz, Outline B

NSPSS-MF-06 - SMA(m) to SMA(f), DC~6GHz, Outline C

Customization is available upon request.

NSPTT

TNC to TNC

Features:
* Broadband

Applications:
* Any Applications

Electrical

Frequency:	DC~3GHz DC~6GHz (Outline B)
VSWR:	1.2 max. 1.25 max. (Outline B)
Insertion Loss:	0.25dB max. 0.45dB max. (Outline B)
RF Power Transmission:	200W
Dielectric Withstanding Voltage:	2500V RMS, 50Hz, at sea level, min.
Working Voltage (DC):	230V*1
Lightning Surge Current:	20kA
Ground Wire Diameter:	8 mm ² max. 4 mm ² max. (Outline B)
Impedance of Dielectric:	500MΩ min.
Impedance of Contact (Center):	1.5mΩ max.
Impedance of Contact (Outer):	1mΩ max.
Impedance:	50Ω

[1] Default 230V, available for 90V, 150V, 350V and 600V.

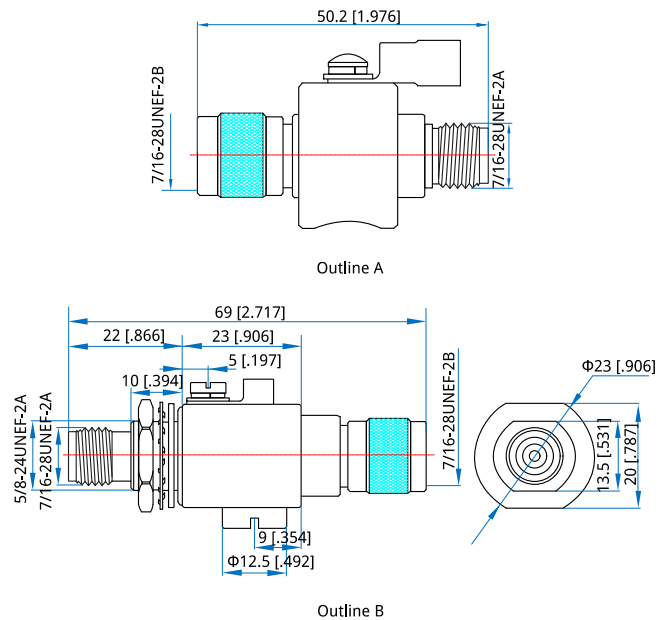
Mechanical

RF Connector:	TNC
Mating Life Cycle:	500 cycles min.
Outer Conductor:	Ternary alloy plated brass
Dielectric:	PTFE
Inner Conductor:	Gold plated brass
Gaskets:	Stainless steel

Environmental

Temperature:	-40~+85°C -45~+125°C (Outline B)
Ingress Protection (IP) Rating:	IP 67 (Outline A)
Relative Humidity:	95% max. @25°C±2°C

Outline Drawings



Unit: mm [in]

Tolerance: ±0.2mm [±0.008in]

How To Order

NSPTT-MF-03 - TNC(m) to TNC(f), DC~3GHz, Outline A

NSPTT-MF-06 - TNC(m) to TNC(f), DC~6GHz, Outline B

Customization is available upon request.