

# NPA-60000-67000-30-27

60~67GHz, 30dB, 27dBm

Power Amplifier

**Features:**

- \* Small Size
- \* Low Power Consumption

**Applications:**

- \* Wireless
- \* Transmitter
- \* Laboratory Test

**Electrical**

Frequency:	60~67GHz
Gain:	30dB typ.
Gain Flatness:	±2dB typ.
Output Power (Psat):	30dBm typ.
Output Power (P1dB):	27dBm typ.
Spurious:	-60dBc max.
VSWR:	2.0 typ.
Voltage:	+4.5V DC
Current:	3A typ.
Input Power:	+10dBm max.

**Mechanical**

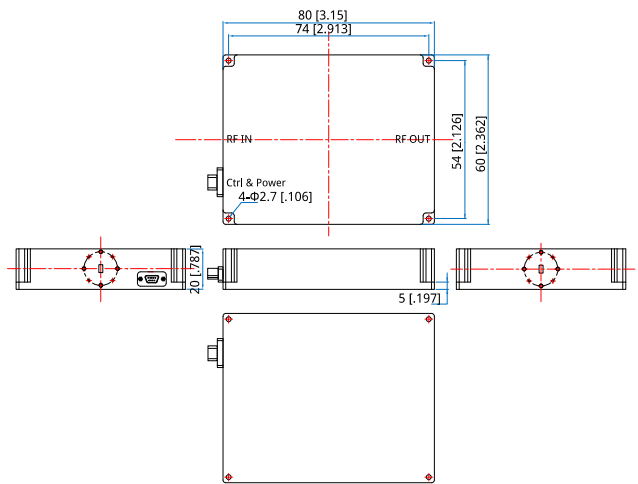
Size*1:	80*60*20mm 3.15*2.362*0.787in
RF Connectors:	WR15
Power Supply & Control	J30J-9ZK
Interface:	
Mounting:	4-Φ2.7mm through-hole

[1] Exclude connectors.

**Environmental**

Operating Temperature:	-20~+50°C
Non-operating Temperature:	-40~+70°C

**Outline Drawings**



Unit: mm [in]  
Tolerance: ±0.2mm [±0.008in]

**Pin Numbering**

Pin	Function	Pin	Function
1, 2, 3, 4, 5	+4.5V	6, 7, 8, 9	GND

**How To Order**

**NPA-60000-67000-30-27**

Customization is available upon request.