



NPA-47000-52000-30-30S

47~52GHz, 30dB, 30dBm

Power Amplifier

Features:

- * Small Size
- * Low Power Consumption

Applications:

- * Wireless
- * Transmitter
- * Laboratory Test

Electrical

Frequency:	47~52GHz
Gain:	30dB min..
Gain Flatness:	±2dB typ.
Output Power (Psat):	30dBm min.
Spurious:	-60dBc max.
VSWR:	2 typ.
Voltage:	+15V DC
Current:	1A typ.
Input Power:	+10dBm max.
Impedance:	50Ω

Mechanical

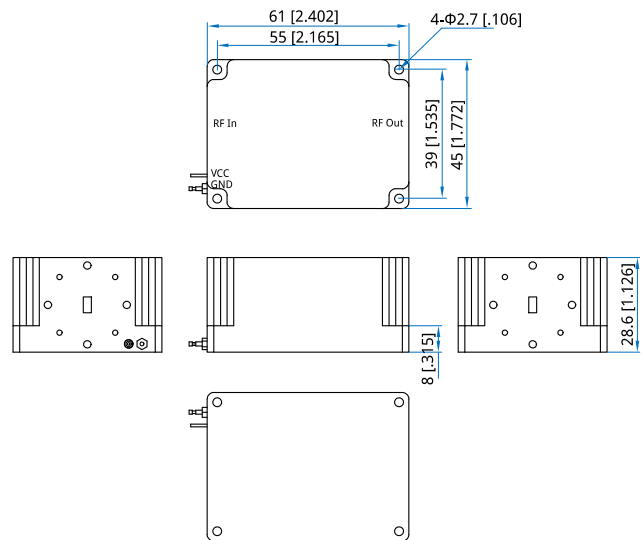
Size*1:	61*45*28.6mm 2.402*1.772*1.126in
Weight:	300g
Interface:	WR19
Mounting:	4-Φ2.7mm through-hole

[1] Exclude connectors.

Environmental

Operating Temperature:	-20~+50°C
Non-operating Temperature:	-40~+85°C

Outline Drawings



Unit: mm [in]
Tolerance: ±0.2mm [±0.008in]

How To Order

NPA-47000-52000-30-30S

Customization is available upon request.

