

# NPA-40000-60000-35-20S

40~60GHz, 35dB, 20dBm

Power Amplifier

**Features:**

- \* Small Size
- \* Low Power Consumption

**Applications:**

- \* Wireless
- \* Transmitter
- \* Laboratory Test

**Electrical**

---

Frequency:	40~60GHz
Small Signal Gain:	35dB min..
Gain Flatness:	±5dB max.
Output Power (Psat):	20dBm min.
VSWR:	2 typ.
Voltage:	+7V DC
Current:	1.2A typ.
Input Power:	-5dBm max.
Impedance:	50Ω

**Mechanical**

---

Size*1:	45*30*40mm 1.772*1.181*1.575in
Interface:	WR19
Mounting:	4-Φ2.2mm through-hole

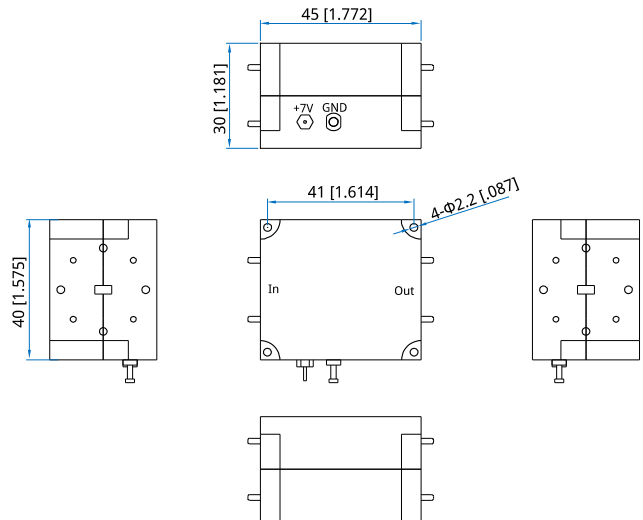
[1] Exclude connectors.

**Environmental**

---

Operating Temperature:	10~+40°C
Non-operating Temperature:	0~+50°C

**Outline Drawings**



Unit: mm [in]  
Tolerance: ±0.2mm [±0.008in]

**How To Order**

**NPA-40000-60000-35-20S**

Customization is available upon request.

