

NPA-2-30-58-60S

Power Amplifier

2~30MHz, 58dB, 60dBm

Features:

- * Small Size
- * Low Power Consumption

Applications:

- * Wireless
- * Transmitter
- * Laboratory Test

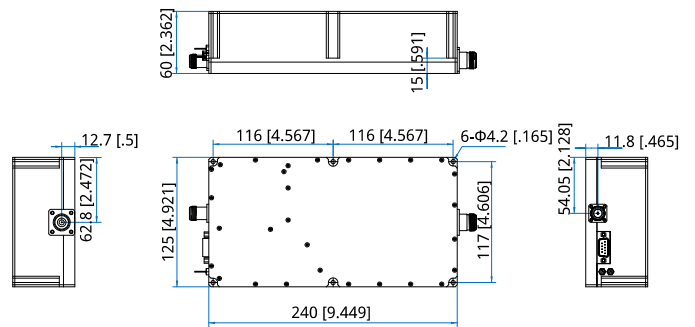
Electrical

Frequency:	2~30MHz
Power Gain:	58dB min.
Gain Range:	30~60dB
Step:	1dB
Gain Flatness:	±2dB typ.
Output Power (Psat):	60dBm min.
Spurious:	-60dBc max.
Harmonic:	-10dBc
Input VSWR:	1.45 typ.
Output VSWR:	2 typ.
Voltage:	+5V DC
Current:	40A max.
Impedance:	50Ω
Input Power:	+5dBm max.

Environmental

Operating Temperature: -10~+50°C

Outline Drawings



Unit: mm [in]

Tolerance: ±0.2mm [±0.008in]

How To Order

NPA-2-30-58-60S

Customization is available upon request.

Mechanical

Size ^{*1} :	240*125*45mm 9.449*4.921*1.772in
Weight:	3000g max.
RF Connectors:	N Female
Supply Connectors:	Feed Through
Mounting:	6-Φ3.2mm through-hole

[1] Exclude connectors.

Pin Numbering

Pin	Function	Description information
1	RS485 communication port	T/R+(A)
2	RS485 communication port	T/R-(B)
3~5	GND	GND
6	Working voltage alarm	TTL level, abnormal output high level (+ 5V), normal output low level
7	Working current alarm	TTL level, abnormal output high level (+ 5V), normal output low level
8	Operating temperature alarm	TTL level, abnormal output high level (+ 5V), normal output low level
9	RF switch	TTL High - 1 TTL Low/NC - 0