

NCA50

0.9~4GHz, 0~10dB, 50W

Features:

- * Low VSWR
- * High Attenuation Flatness

Applications:

- * Wireless
- * Transmitter
- * Laboratory Test
- * Radar

Electrical

Frequency:	0.9~4GHz
Band Width:	100, 200MHz
Attenuation Accuracy:	±0.5dB
Attenuation Range:	0~10dB
Insertion Loss:	1.0dB max.
VSWR:	1.5dB max.
Impedance:	50Ω
Average Power:	50W

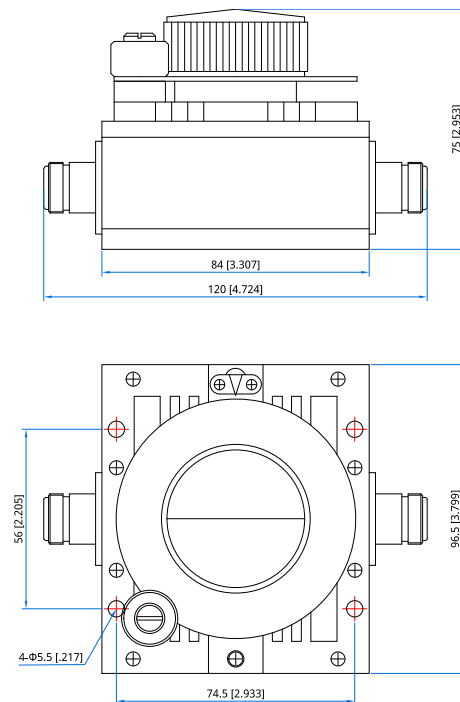
Mechanical

Size:	120*96.5*75mm 4.724*3.799*2.953in
Weight:	1.2Kg
RF Connectors:	N Female
Outer Conductor:	Nickel plated brass
Female Inner Conductor:	Gold plated beryllium copper
Housing:	Aluminum
Mounting:	4-Φ5.5mm through-hole

Environmental

Temperature: -40~+65°C

Outline Drawings



Unit: mm [in]

Tolerance: ±1mm [±0.04in]

How To Order

NCA50-X-Y-10

X: Start frequency in GHz

Y: Stop frequency in GHz

Examples:

To order an attenuator, 2-2.2GHz, N female, 0~10dBattenuation, specify NCA50-2-2.2-10.

Customization is available upon request.