

NLA-75000-110000-20.5-32
75~110GHz, 20.5dB, 3.2dB

Features:
* Broad Band
* Low Noise

Applications:
* Wireless
* Receiver
* Laboratory Test
* Radar

Electrical

Frequency:	75~110GHz
Small Singal Gain:	20.5dB min.
Gain Fatness:	±2.5dB
Noise Figure:	3.2dB typ.
Input VSWR:	2 typ.
Output VSWR:	1.5 typ.
Voltage:	+7V DC (+6V min., +10V max.)
Current:	36mA typ.
Impedance:	50Ω
Input Power:	10dBm max.

Mechanical

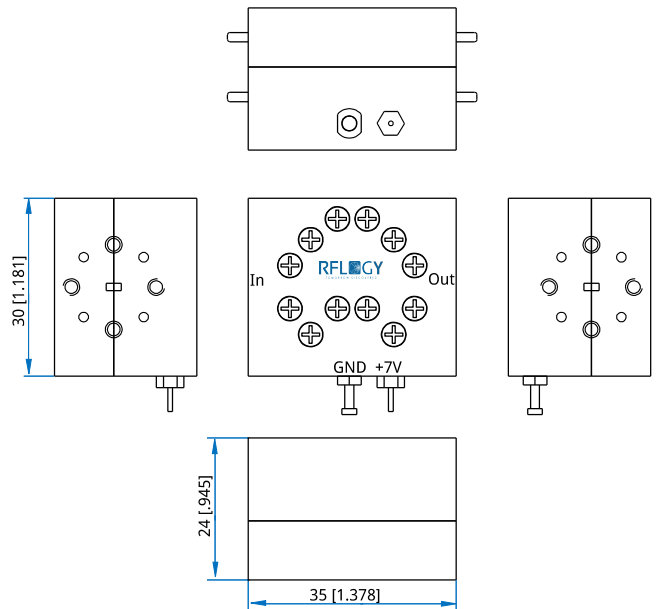
Size*1:	35*30*24mm 1.378*1.181*0.945in
RF Interface:	WR-10
Flange:	UG-387/UM
Power Supply Connectors:	Feed Through/Terminal Post

[1] Exclude connectors.

Environmental

Operating Temperature:	-55~+85°C
Non-operating Temperature:	-65~+150°C

Outline Drawings



Unit: mm [in]
Tolerance: ±0.2mm [±0.008in]

How To Order

NLA-75000-110000-20.5-32

Customization is available upon request.