

NLA-4000-8000-21-15

4~8GHz, 21dB, 1.5dB

Features:
 * Broad Band
 * Low Noise

Applications:
 * Wireless
 * Receiver
 * Laboratory Test
 * Radar

Electrical

Frequency:	4~8GHz
Gain:	21dB min.
Gain Flatness:	±1dB typ.
Output Power (P1dB):	+10dBm min.
Noise Figure:	1.5dB typ.
VSWR:	1.8 typ.
Voltage:	+12V DC typ.
Current:	100mA typ.
Spurious:	-60dBc max.
Impedance:	50Ω
Input Power:	+10dBm max.

Mechanical

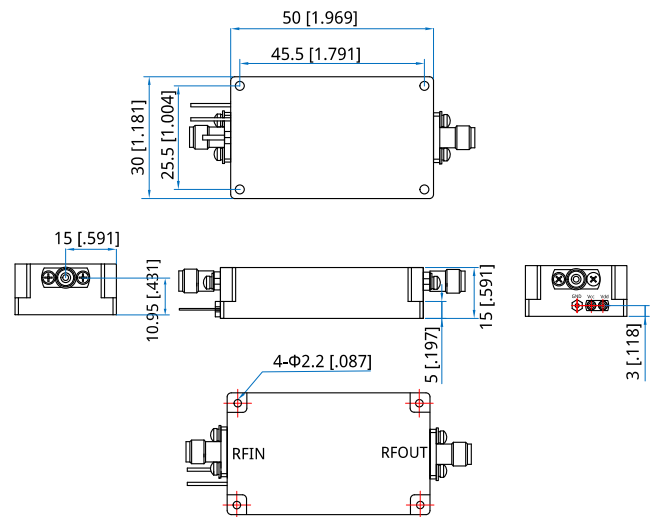
Size ^{*1} :	50*30*15mm 1.969*1.181*0.591in
RF Connectors:	SMA
Mounting:	4-Φ2.2mm through-hole

[1] Exclude connectors.

Environmental

Operating Temperature:	-20~+80°C
Non-operating Temperature:	-40~+85°C

Outline Drawings



Unit: mm [in]
 Tolerance: ±0.5mm [±0.02in]

How To Order

NLA-4000-8000-21-15

Customization is available upon request.

