

NLA-230000-260000-19-85

230~260GHz, 19dB, 8.5dB

Features:
 * Broad Band
 * Low Noise

Applications:
 * Wireless
 * Receiver
 * Laboratory Test
 * Radar

Electrical

Frequency:	230~260GHz
Small Singal Gain:	19dB typ.
Noise Figure:	8.5dB typ.
Input VSWR:	2.5 typ.
Output VSWR:	3.5 typ.
Voltage:	+5V DC (+5V min., +8V max.)
Current:	42mA typ.
Impedance:	50Ω
Input Power:	10dBm max.

Mechanical

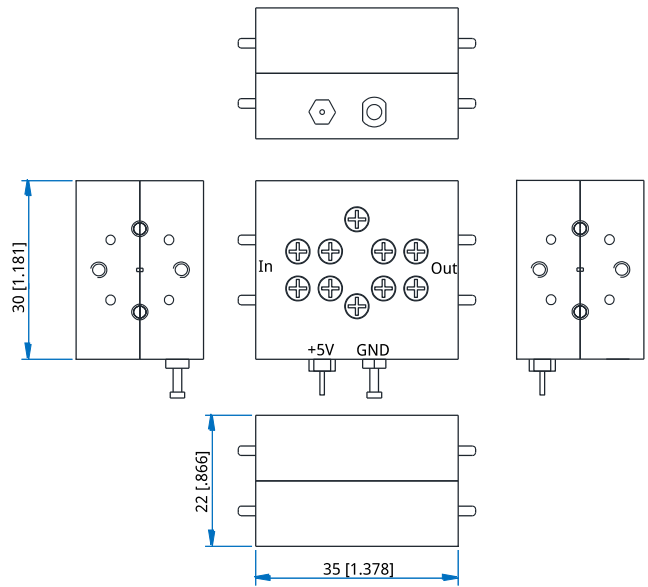
Size*1:	35*30*22mm 1.378*1.181*0.866in
RF Interface:	WR-3
Power Supply Connectors:	Feed Through/Terminal Post

[1] Exclude connectors.

Environmental

Operating Temperature:	10~+40°C
Non-operating Temperature:	0~+50°C

Outline Drawings



Unit: mm [in]
 Tolerance: ±0.2mm [±0.008in]

How To Order

[NLA-230000-260000-19-85](#)

Customization is available upon request.

