

**NLA-200000-230000-22-72**

200~230GHz, 22dB, 7.2dB

Features:  
 \* Broad Band  
 \* Low Noise

Applications:  
 \* Wireless  
 \* Receiver  
 \* Laboratory Test  
 \* Radar

**Electrical**

Frequency:	200~230GHz
Small Singal Gain:	22dB min.
Gain Fatness:	±3dB
Noise Figure:	7.2dB max.
Input VSWR:	2 typ.
Output VSWR:	2.5 typ.
Voltage:	+5V DC (+5V min., +8V max.)
Current:	40mA typ.
Impedance:	50Ω
Input Power:	10dBm max.

**Mechanical**

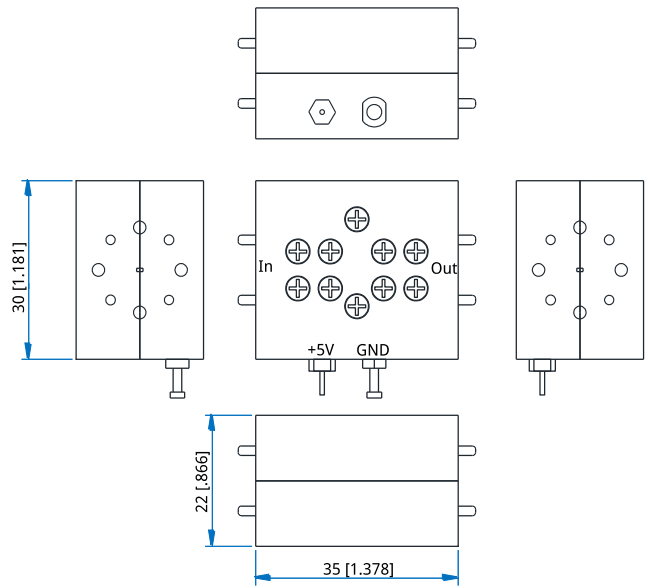
Size*1:	35*30*22mm 1.378*1.181*0.866in
RF Interface:	WR-4
Power Supply Connectors:	Feed Through/Terminal Post

[1] Exclude connectors.

**Environmental**

Operating Temperature:	10~+40°C
Non-operating Temperature:	0~+50°C

**Outline Drawings**



Unit: mm [in]  
 Tolerance: ±0.2mm [±0.008in]

**How To Order**

[NLA-200000-230000-22-72](#)

Customization is available upon request.