

**NLA-2000-4000-40-15**  
2~4GHz, 40dB, 1.5dB

Features:  
\* Broad Band  
\* Low Noise

Applications:  
\* Wireless  
\* Receiver  
\* Laboratory Test  
\* Radar

**Electrical**

---

Frequency:	2~4GHz
Gain:	40dB typ.
Gain Flatness:	±1.5dB typ.
Output Power (P1dB):	15dBm min.
Noise Figure:	1.5dB max.
VSWR:	2 typ.
Voltage:	15V DC
Current:	500mA typ.
Impedance:	50Ω

**Mechanical**

---

Size <sup>*1</sup> :	56*32*12mm 2.205*1.26*0.472in
RF Connectors:	SMA Female

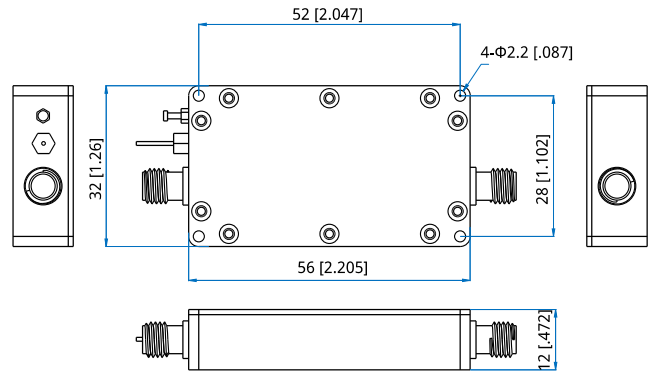
[1] Exclude connectors.

**Environmental**

---

Operating Temperature:	-20~+60°C
Non-operating Temperature:	-20~+60°C

**Outline Drawings**



Unit: mm [in]  
Tolerance: ±0.5mm [±0.02in]

**How To Order**

**NLA-2000-4000-40-15**

Customization is available upon request.

