

NLA-140000-200000-15-45

140~200GHz, 15dB, 4.5dB

Features:

- * Broad Band
- * Low Noise

Applications:

- * Wireless
- * Receiver
- * Laboratory Test
- * Radar

Electrical

Frequency:	140~200GHz
Small Singal Gain:	15dB min.
Gain Fatness:	±3dB
Noise Figure:	4.5dB typ.
Input VSWR:	2.5 typ.
Output VSWR:	2.5 typ.
Voltage:	+7V DC (+5V min., +8V max.)
Current:	39mA typ.
Impedance:	50Ω
Input Power:	10dBm max.

Mechanical

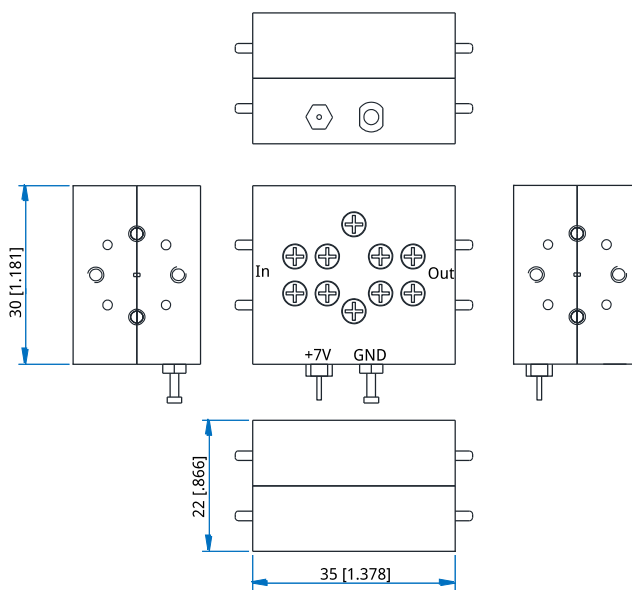
Size*1:	35*30*22mm 1.378*1.181*0.866in
RF Interface:	WR-5
Power Supply Connectors:	Feed Through/Terminal Post

[1] Exclude connectors.

Environmental

Operating Temperature:	-55~+85°C
Non-operating Temperature:	-65~+150°C

Outline Drawings



Unit: mm [in]
Tolerance: ±0.2mm [±0.008in]

How To Order

[NLA-140000-200000-15-45](#)

Customization is available upon request.