

**NLA-1000-18000-47-25**  
 1~18GHz, 47dB, 2.5dB

Features:  
 \* Broad Band  
 \* Low Noise

Applications:  
 \* Wireless  
 \* Receiver  
 \* Laboratory Test  
 \* Radar

**Electrical**

Frequency:	1~18GHz
Gain:	47dB min. 50dB typ.
Gain Flatness:	±1.5dB typ.
Output Power (P1dB):	+10dBm min.
Noise Figure:	2.5dB max.
VSWR:	2 max.
Voltage:	+9V DC
Current:	150mA typ.
Impedance:	50Ω

**Mechanical**

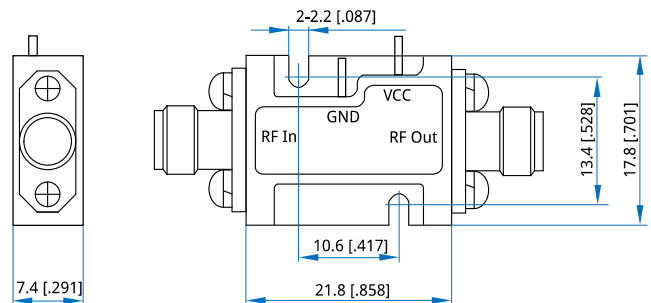
Size <sup>*1</sup> :	21.8*17.8*7.4mm 0.858*0.701*0.291in
RF Connectors:	SMA Female

[1] Exclude connectors.

**Environmental**

Operating Temperature:	-40~+70°C
Non-operating Temperature:	-55~+85°C

**Outline Drawings**



Unit: mm [in]  
 Tolerance: ±0.2mm [±0.008in]

**How To Order**

**NLA-1000-18000-47-25**

Customization is available upon request.

