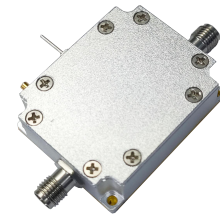


NLA-0.09-2000-42-30

0.09~2000MHz, 42dB, 3dB

- | | |
|---|--|
| Features:
* Small Size
* Low Power Consumption | Applications:
* Wireless
* Transmitter
* Laboratory Test |
|---|--|



Electrical

Frequency:	0.09~2000MHz
Gain:	42dB typ.
Noise Figure:	3dB typ.
Output Power (P1dB):	15dBm typ.
Input VSWR:	2 typ.
Output VSWR:	2 typ.
Voltage/Current:	+12V/300mA
Impedance:	50Ω

Absolute Maximum Ratings^{*1}

RF Input Power:	-15dBm
Voltage:	+12.5V
Limiting Temperature:	-45~+80°C

[1] Permanent damage may occur if any of these limits are exceeded.

Mechanical

Size ^{*2} :	40*32*12mm 1.575*1.26*0.087in
RF Connectors:	SMA female
Power Supply Connectors:	Feed Through/Terminal Post
Mounting:	4-Φ2.2mm through-hole

[2] Exclude connectors.

Environmental

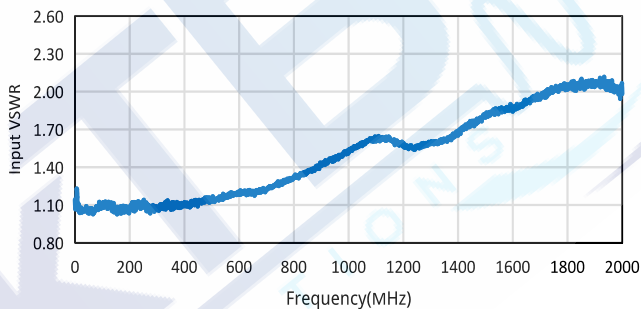
Operating Temperature: -35~+75°C

How To Order

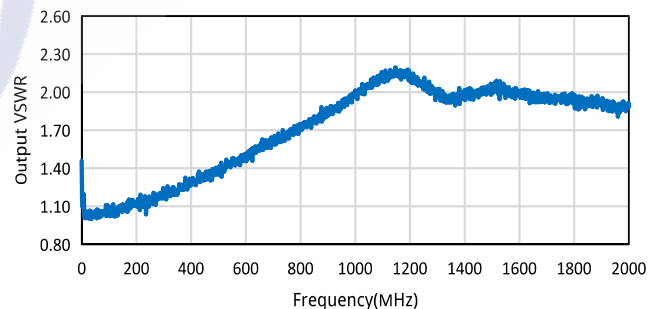
NLA-0.09-2000-42-30

Typical Performance Curves

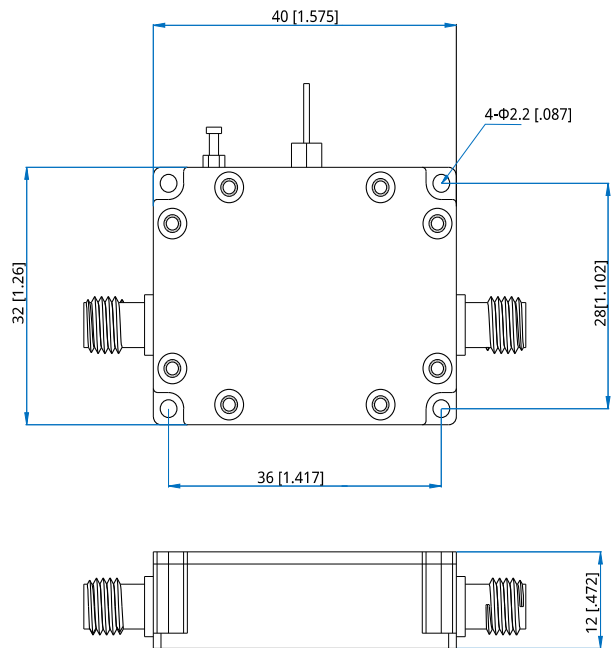
Input VSWR vs. Frequency



Output VSWR vs. Frequency



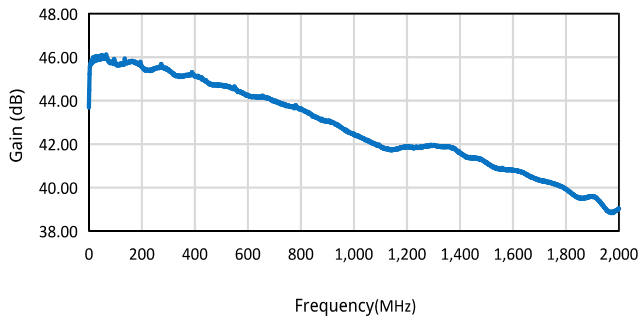
Outline Drawings



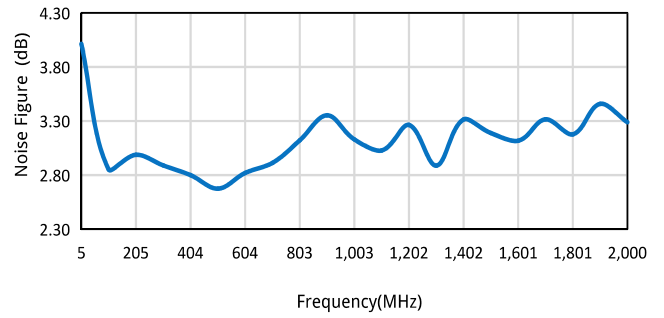
Unit: mm [in]
Tolerance: ±0.2mm [±0.008in]

Customization is available upon request.

Gain vs. Frequency



Noise Figure vs. Frequency



P1dB vs. Frequency

