

# NELC-K-1

## 2.92mm, DC~40GHz

**Features:**

- \* Low VSWR
- \* No welding
- \* Reusable
- \* Easy installation

**Applications:**

- \* Laboratory Test

**Electrical**

Frequency:	DC~40GHz
VSWR:	1.25 max.
Impedance:	50Ω

**Mechanical**

RF Connector:	2.92mm
Outer Conductor:	Passivated stainless steel
Dielectric:	PEI & PTFE
Inner Conductor:	Gold plated beryllium copper

**Environmental**

Temperature:	-55~+165°C
--------------	------------

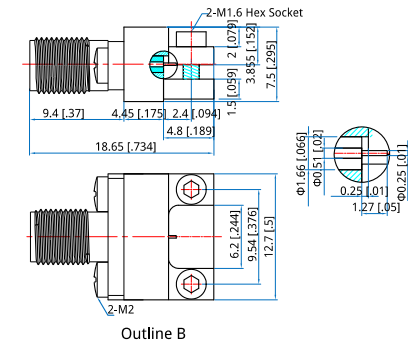
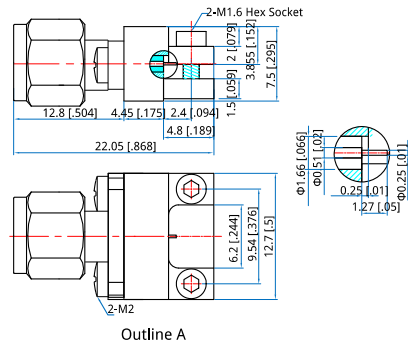
**How To Order**

**NELC-K-1** - Outline A

**NELC-KF-1** - Outline B

Customization is available upon request.

**Outline Drawings**



Unit: mm [in]  
Tolerance:  $\pm 0.2\text{mm} [\pm 0.008\text{in}]$

