

NDI7070X

High Power, High Isolation

Features:

- * High Power
- * High Isolation
- * Low Insertion Loss
- * Low VSWR

Applications:

- * Wireless
- * Radar
- * Laboratory Test

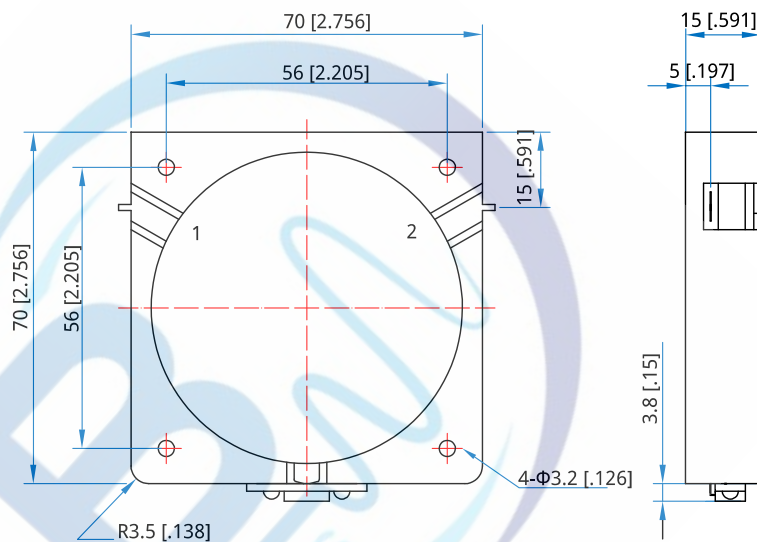
Description

NDI7070X series Drop-In Isolators cover frequency range 130~200MHz. High power, high isolation and low insertion loss make it ideal for a lot of applications like amplifiers, transceivers, etc.

Specifications

Frequency (MHz)	Bandwidth (MHz)	Insertion Loss (dB Max.)	Isolation (dB Min.)	VSWR (Max.)	Fwd Power (W Max.)	Rev Power (W)	Temperature (°C)
130~160	2	0.50	20.0	1.25	500	10~100	-20~+70
130~160	5	0.60	18.0	1.30	500	10~100	-20~+70
150~180	30	0.60	18.0	1.30	500	10~100	-20~+70
160~200	10	0.40	23.0	1.20	500	10~100	-20~+70
160~200	30	0.50	20.0	1.25	500	10~100	-20~+70
160~190	30	0.50	10.0	1.25	500	10~100	-20~+70

Outline Drawings



Unit: mm [inch]

Tolerance: ±0.2mm [±0.008in]



NDI7070X

Mechanical

Size ^{*1} :	70*70*15mm 2.756*2.756*0.591in
Connector Type:	Strip line
Mounting:	4-Φ3.2mm through-hole

[1] Exclude connectors and terminations.

How To Order

NDI7070X-X-Y-Z
X: Start frequency in MHz
Y: Stop frequency in MHz
Z: Reverse Power in W

Examples:

To order a NDI7070X series Isolator, 180- 200MHz, 20W,
specify NDI7070X-180-200-20.

Customization is available upon request.

