



# NDI2532X

## High Power, High Isolation

**Features:**

- \* High Power
- \* High Isolation
- \* Low Insertion Loss
- \* Low VSWR

**Applications:**

- \* Wireless
- \* Radar
- \* Laboratory Test

### Description

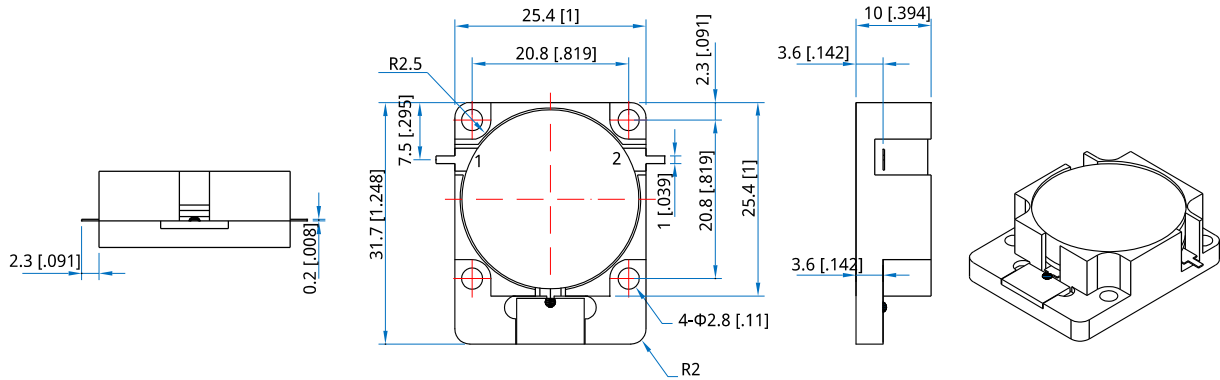
NDI2532X series Drop-In Isolators cover frequency range 350~4000MHz. High power, high isolation and low insertion loss make it ideal for a lot of applications like amplifiers, transceivers, etc.

### Specifications

| Frequency (MHz) | Bandwidth (MHz) | Insertion Loss (dB Max.) | Isolation (dB Min.) | VSWR (Max.) | Fwd Power (W Max.) | Rev Power (W) | Temperature (°C) |
|-----------------|-----------------|--------------------------|---------------------|-------------|--------------------|---------------|------------------|
| 350~400         | 20              | 0.50                     | 20.0                | 1.25        | 250                | 100           | -30~+70          |
| 400~800         | 20              | 0.40                     | 23.0                | 1.25        | 250                | 100           | -30~+70          |
| 400~800         | 70              | 0.40                     | 20.0                | 1.20        | 250                | 100           | -30~+70          |
| 700~1300        | 30              | 0.25                     | 25.0                | 1.15        | 250                | 100           | -30~+70          |
| 700~1300        | 100             | 0.40                     | 20.0                | 1.25        | 250                | 100           | -30~+70          |
| 746~870         | 124             | 0.40                     | 20.0                | 1.20        | 250                | 100           | -30~+70          |
| 869~894         | 25              | 0.25                     | 25.0                | 1.20        | 250                | 100           | -30~+70          |
| 885~915         | 30              | 0.25                     | 25.0                | 1.20        | 250                | 100           | -30~+70          |
| 850~960         | 110             | 0.40                     | 20.0                | 1.25        | 250                | 100           | -30~+70          |
| 920~960         | 40              | 0.25                     | 25.0                | 1.20        | 250                | 100           | -30~+70          |
| 960~1215        | 255             | 0.40                     | 20.0                | 1.25        | 250                | 100           | -30~+70          |
| 1030~1090       | 60              | 0.30                     | 23.0                | 1.20        | 250                | 100           | -30~+70          |
| 1300~3000       | 75              | 0.25                     | 25.0                | 1.15        | 250                | 100           | -30~+70          |
| 1300~3000       | 100             | 0.30                     | 23.0                | 1.20        | 250                | 100           | -30~+70          |
| 1300~3000       | 200             | 0.40                     | 20.0                | 1.25        | 250                | 100           | -30~+70          |
| 1300~1800       | 500             | 0.40                     | 16.0                | 1.40        | 250                | 100           | -30~+70          |
| 1500~1700       | 200             | 0.40                     | 20.0                | 1.25        | 250                | 100           | -30~+70          |
| 1700~1900       | 200             | 0.40                     | 20.0                | 1.25        | 250                | 100           | -30~+70          |
| 1880~2650       | 770             | 0.65                     | 15.0                | 1.45        | 250                | 100           | -30~+70          |
| 1900~2200       | 300             | 0.40                     | 20.0                | 1.25        | 250                | 100           | -30~+70          |
| 2100~2700       | 600             | 0.50                     | 18.0                | 1.35        | 250                | 100           | -30~+70          |
| 2300~2700       | 400             | 0.40                     | 20.0                | 1.25        | 250                | 100           | -30~+70          |
| 2400~2500       | 100             | 0.25                     | 25.0                | 1.15        | 250                | 100           | -30~+70          |
| 3000~4000       | 200             | 0.30                     | 23.0                | 1.20        | 250                | 100           | -30~+70          |
| 3000~4000       | 400             | 0.40                     | 20.0                | 1.25        | 250                | 100           | -30~+70          |
| 3400~3600       | 200             | 0.30                     | 23.0                | 1.20        | 250                | 100           | -30~+70          |
| 3600~3800       | 200             | 0.30                     | 23.0                | 1.20        | 250                | 100           | -30~+70          |

## NDI2532X

### Outline Drawings



Unit: mm [inch]      Tolerance:  $\pm 0.2\text{mm}$  [ $\pm 0.008\text{in}$ ]

### Mechanical

Size<sup>\*1</sup>: 25.4\*31.7\*10mm  
1\*1.248\*0.394in

Connector Type: Strip line

Mounting: 4-Φ2.8mm through-hole

[1] Exclude connectors and terminations.

### How To Order

**NDI2532X-X-Y-Z**

X: Start frequency in MHz

Y: Stop frequency in MHz

Z: Reverse Power in W

Examples:

To order a NDI2532X series Isolator, 3600~3800MHz, 100W, specify NDI2532X-3600-3800-K1.

Customization is available upon request.