

NCI4040A

High Power, High Isolation

Features:

- * High Power
- * High Isolation
- * Low Insertion Loss
- * Low VSWR

Applications:

- * Wireless
- * Radar
- * Laboratory Test

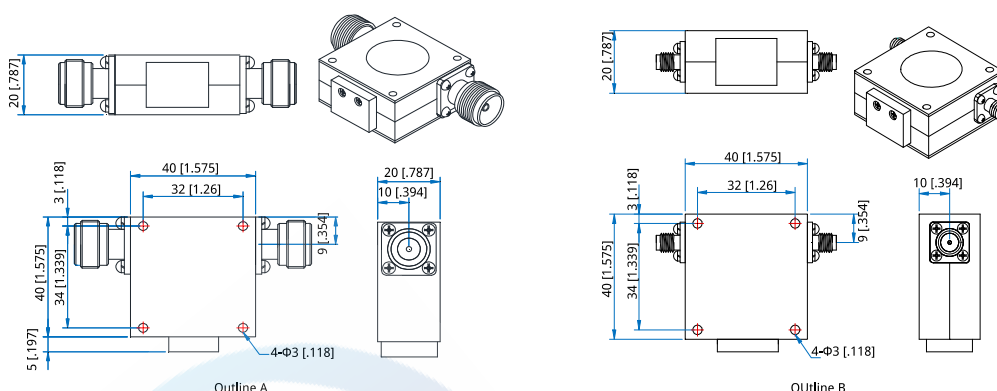
Description

NCI4040A series Coaxial Isolators cover frequency range 1500~3600MHz. High power, high isolation and low insertion loss make it ideal for a lot of applications like amplifiers, transceivers, etc.

Specifications

Frequency (MHz)	Bandwidth (MHz)	IL (dB Max.)	Isolation (dB Min.)	VSWR (Max.)	Fwd Power (W Max.)	Rev Power (W)	Connector	Temperature (°C)
1500~3000	1500	0.70	17.0	1.4	100	100, 50, 30	SMA	0~+60
1500~3000	1500	0.70	17.0	1.4	100	30	N	0~+60
1800~3600	1800	0.6	17.0	1.35	100	100	SMA	0~+60

Outline Drawings



Unit: mm [inch]

Tolerance: $\pm 0.2\text{mm}$ [$\pm 0.008\text{in}$]

Mechanical

Size*1: 40*40*20mm
1.575*1.575*0.787in

Mounting: 4-Φ3 through hole

[1] Exclude connectors and terminations.

Connector Naming Rules:

- N - N Female (Outline A)
- S - SMA Female (Outline B)

Direction Naming Rules:

- 1 - Clockwise
- 2 - Anticlockwise

How To Order

NCI4040A-U-V-W-X-Y-Z

U: Start frequency in MHz

V: Stop frequency in MHz

W: Forward power in W

X: Reverse power in W

Y: Connector type

Z: Direction type

Examples:

To order a NCI4040A series Isolator, 1500~3000MHz, Forward power 100W, Reverse power 30W, SMA female, Clockwise, specify NCI4040A-1500-3000-K1-30-S-1.

Customization is available upon request.