

NCI2528B

High Power, High Isolation

- | | |
|----------------------|-------------------|
| Features: | Applications: |
| * High Power | * Wireless |
| * High Isolation | * Radar |
| * Low Insertion Loss | * Laboratory Test |
| * Low VSWR | |

Description

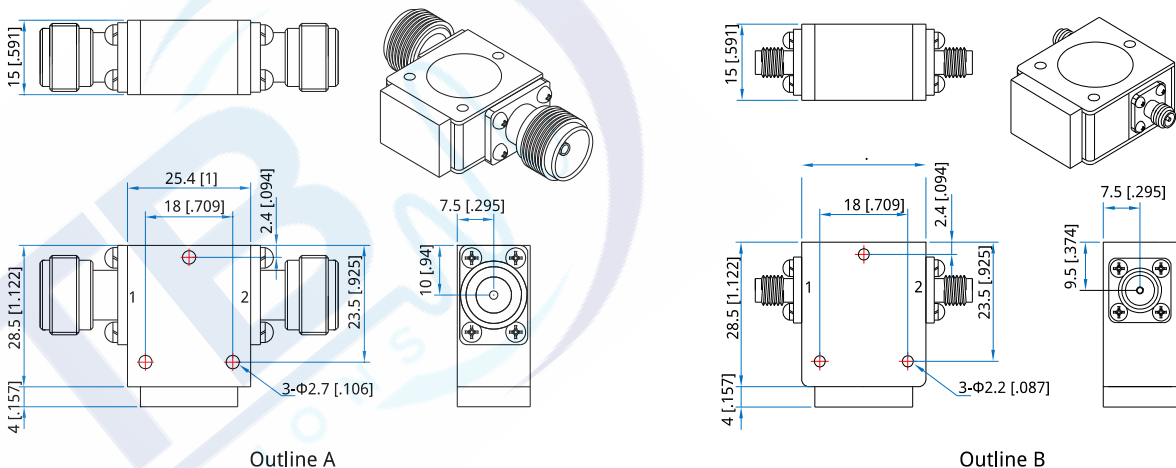
NCI2528B series Coaxial Isolators cover frequency range 900~4000MHz. High power, high isolation and low insertion loss make it ideal for a lot of applications like amplifiers, transceivers, etc.

Specifications

Frequency (MHz)	Bandwidth (MHz)	IL (dB Max.)	Isolation (dB Min.)	VSWR (Max.)	Fwd Power* ¹ (W Max.)	Rev Power (W)	Connector	Temperature (°C)
800~1300	70	0.30	23.0	1.20	200	10~100	SMA, N	-30~+70
820~880	60	0.30	23.0	1.20	200	10~100	SMA, N	-30~+70
920~960	40	0.30	23.0	1.20	200	10~100	SMA, N	-30~+70
1200~1400	200	0.30	23.0	1.20	200	10~100	SMA, N	-30~+70
1300~4000	100	0.30	23.0	1.20	200	10~100	SMA, N	-30~+70
1700~1900	200	0.40	20.0	1.25	200	10~100	SMA, N	-30~+70
1900~2200	300	0.40	20.0	1.25	200	10~100	SMA, N	-30~+70
2200~2500	300	0.35	20.0	1.20	200	10~100	SMA, N	-30~+70
2500~2700	200	0.30	23.0	1.20	200	10~100	SMA, N	-30~+70
2700~3100	400	0.30	20.0	1.25	200	10~100	SMA, N	-30~+70
3100~3400	300	0.30	20.0	1.20	200	10~100	SMA, N	-30~+70
3400~3600	200	0.30	20.0	1.20	200	10~100	SMA, N	-30~+70
3600~4000	400	0.30	20.0	1.25	200	10~100	SMA, N	-30~+70

The size of the termination varies according to the reverse power
 [1] The connector is SMA, and the maximum forward power can only reach 100W.

Outline Drawings



Unit: mm [inch] Tolerance: ±0.2mm [±0.008in]



Coaxial Isolators

Mechanical

Size*2:	25.4*28.5*15mm 1*1.122*0.591in
Mounting:	3-Φ2.7mm through-hole (N) 3-Φ2.2mm through-hole (SMA)

[2] Exclude connectors and terminations.

Connector Naming Rules:

- N - N Female (Outline A)
- S - SMA Female (Outline B)

Direction Naming Rules:

- 1 - Clockwise
- 2 - Anticlockwise

How To Order

NCI2528B-U-V-W-X-Y-Z

- U: Start frequency in MHz
- V: Stop frequency in MHz
- W: Forward power in W
- X: Reverse power in W
- Y: Connector type
- Z: Direction type

Examples:

To order a NCI2528B series Isolator, 820~880MHz, Forward power 200W, Reverse power 100W, N female, Clockwise, specify NCI2528B-820-860-K2-K1-N-1.

Customization is available upon request.

