

NCP-FRB-086-2

SMP Female Right Angle

Features:
* Low VSWR

Applications:
* Wireless
* Radar
* Instruments
* Electronics



Electrical

Frequency: DC~18GHz
VSWR: 1.3 max.
Impedance: 50Ω

Mechanical

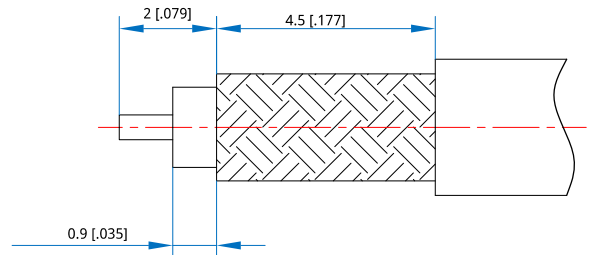
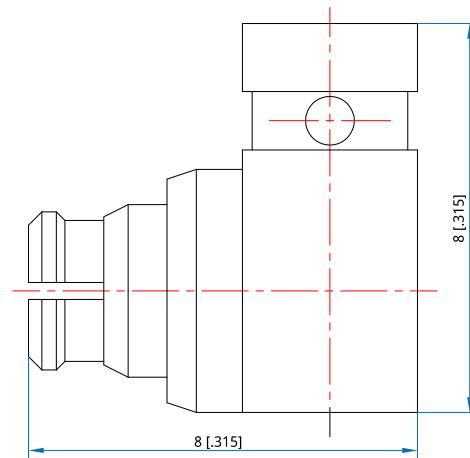
RF Connector: SMP Female Right Angle
Mating Cable: NH280, ND086, NE086, RG316, RG316D
Outer Conductor: Beryllium copper

How To Order

NCP-FRB-086-2

Customization is available upon request.

Outline Drawings



Unit: mm [in]
Tolerance: ±0.2mm [±0.008in]

