

NCD-FRB-086-1

SMB Female Right Angle

Features:
* Low VSWR

Applications:
* Wireless
* Radar
* Instruments
* Electronics

Electrical

Frequency:	DC-6GHz
VSWR:	1.25 max.
Impedance of Dielectric:	5000MΩ min.
Voltage Withstand:	500V DC min
Impedance:	50Ω

Mechanical

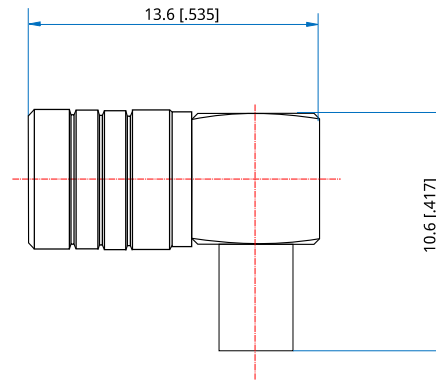
RF Connector:	SMB Female Right Angle
Mating Cable:	NA150, NH160, ND047, NE047
Outer Conductor:	Gold plated brass
Dielectric:	PTFE
Inner Conductor:	Gold plated beryllium copper

How To Order

NCD-FRB-086-1

Customization is available upon request.

Outline Drawings



Unit: mm [in]
Tolerance: ±0.2mm [±0.008in]