

NC2-FRG-T50-1

2.4mm Female Right Angle

Features:
* Low VSWR

Applications:
* Wireless
* Radar
* Instruments
* Electronics

Electrical

Frequency:	DC~50GHz
VSWR:	1.4 max.
Impedance of Dielectric:	5000MΩ min.
Voltage Withstand:	500V DC min
Impedance::	50Ω

Mechanical

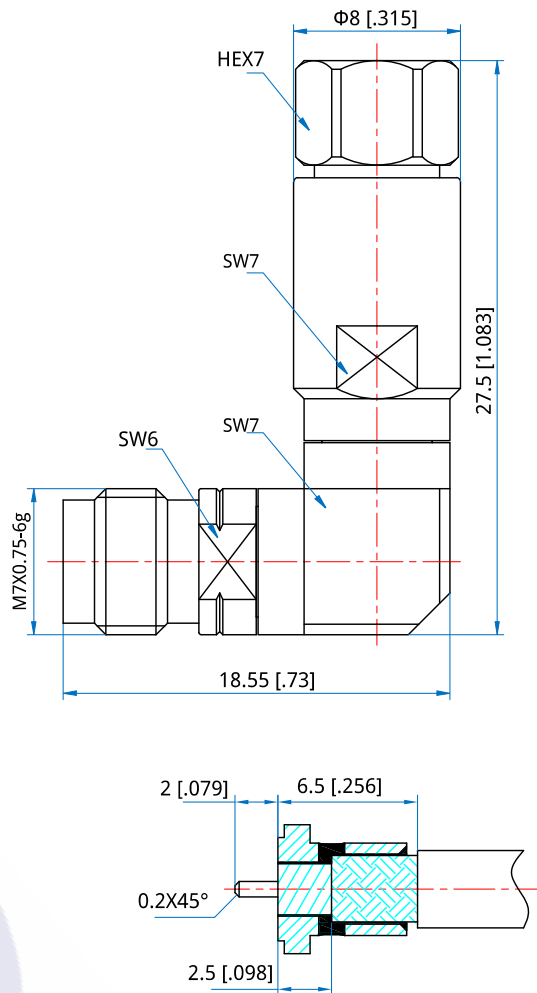
RF Connector:	2.4mm Female Right Angle
Mating Cable:	NT50
Outer Conductor:	303F stainless steel
Dielectric:	PEI
Inner Conductor:	Gold plated brass&copper

How To Order

NC2-FRG-T50-1

Customization is available upon request.

Outline Drawings



Unit: mm [in]
Tolerance: ±0.2mm [±0.008in]

