

NBF-9000-10000-40

9~10GHz, 40dB

Features:

- * High Stopband Rejection
- * Small Size

Applications:

- * Telecom
- * Laboratory Test
- * Receivers
- * Instrumentation

Electrical

Passband:	9~10GHz
Passband Insertion Loss:	2dB max.
Passband Ripple:	0.8dB max.
VSWR:	1.5 max.
Stopband Attenuation:	40dBc@8.3GHz min. 40dBc@10.6GHz min.

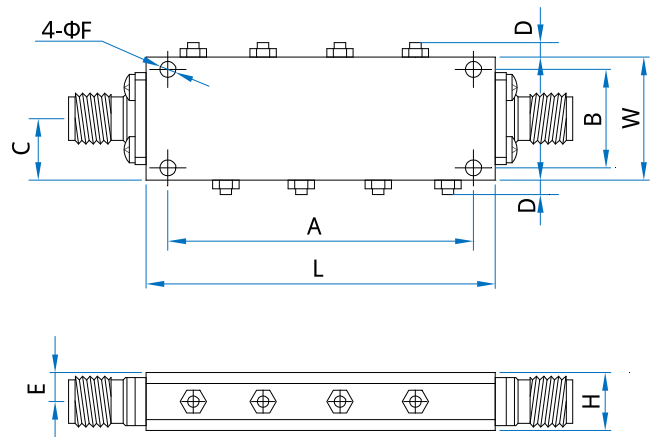
Mechanical

RF Connectors:	SMA Female
Mounting:	4*Φ2.2mm through-hole

Environmental

Operating Temperature:	-40~+70°C
Non-operating Temperature:	-55~+105°C

Outline Drawings



Size:	L	W	H	A	B	C	D	E	F
mm:	51	14	8	43	11	7	2	4	2.2
in:	2.008	0.551	0.315	1.693	0.433	0.376	0.079	1.575	0.087

Unit: mm [in]

Tolerance: ±0.2mm [±0.008in]

How To Order

NBF-9000-10000-40

Customization is available upon request.