

NBF-890-910-60

0.89~0.91GHz, 60dBc

Features:

- * High Stopband Rejection
- * Small Size

Applications:

- * Telecom
- * Laboratory Test
- * Receivers
- * Instrumentation

Electrical

Frequency:	0.89~0.91GHz
Passband Width:	20~25MHz
Passband Insertion Loss:	1.5dB max.
Stopband Attenuation:	60dBc@DC~867.5MHz min. 60dBc@932.5~2000MHz min.
VSWR:	1.5 max.

Mechanical

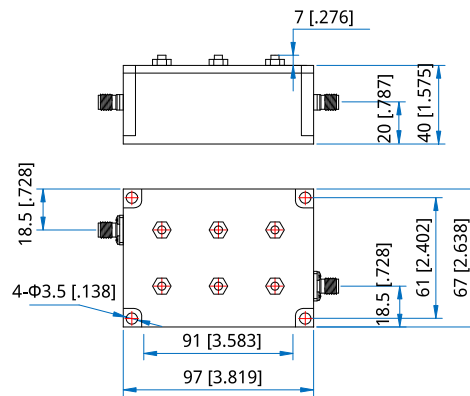
Size*1:	97*67*40mm 3.819*2.638*1.575in
RF Connectors:	SMA Female
Mounting:	4-Φ3.5mm through-hole

[1] Exclude connectors.

Environmental

Operating Temperature:	-40~+70°C
Non-operating Temperature:	-55~+85°C

Outline Drawings



Unit: mm [in]
Tolerance: ±0.2mm [±0.008in]

How To Order
NBF-890-910-60

Customization is available upon request.

