

NBF-7300-8300-40

7.3~8.3GHz, 40dB

Features:

- * High Stopband Rejection
- * Small Size

Applications:

- * Telecom
- * Laboratory Test
- * Receivers
- * Instrumentation

Electrical

Passband:	7.3~8.3GHz
Passband Insertion Loss:	2dB max.
Passband Ripple:	0.8dB max.
VSWR:	1.5 max.
Stopband Attenuation:	40dBc@6.7GHz min. 40dBc@9GHz min.

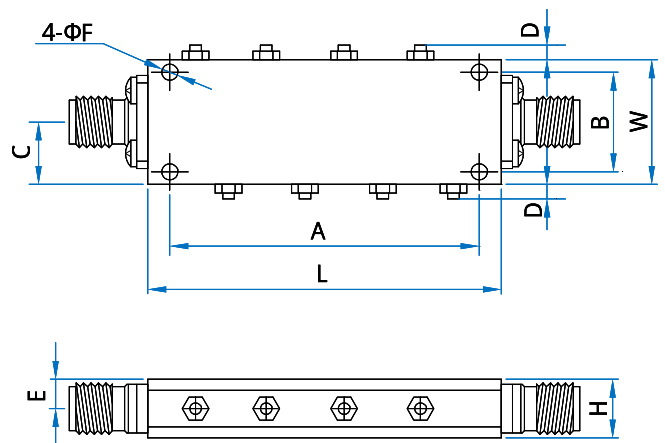
Mechanical

RF Connectors:	SMA Female
Mounting:	4*Φ2.2mm through-hole

Environmental

Operating Temperature:	-40~+70°C
Non-operating Temperature:	-55~+105°C

Outline Drawings



Size:	L	W	H	A	B	C	D	E	F
mm:	49	16	8	41	12.8	8	2	4	2.2
in:	1.929	0.63	0.315	1.614	0.505	0.315	0.079	1.575	0.087

Unit: mm [in]
Tolerance: ±0.2mm [±0.008in]

HowTo Order

NBF-7300-8300-40

Customization is available upon request.

