

NBF-14700-15300-40

High Stopband Rejection

Features:

- * High Stopband Rejection
- * Small Size

Applications:

- * Telecom
- * Laboratory Test
- * Receivers
- * Instrumentation

Electrical

Passband:	14.7~15.3GHz
Passband Insertion Loss:	1.3dB max.
VSWR:	1.5 max.
Stopband Attenuation:	40dBc@DC~14.46GHz min. 40dBc@15.54~18GHz min.

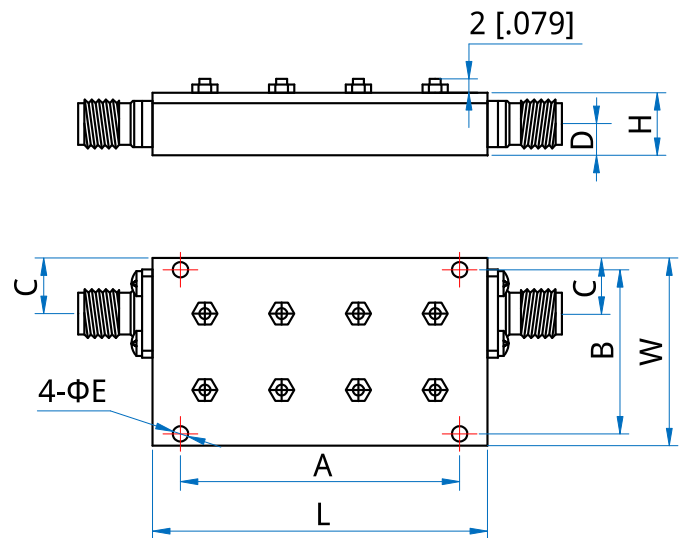
Mechanical

RF Connectors:	SMA Female
Mounting:	4*Φ2.2mm through-hole

Environmental

Operating Temperature:	-40~+70°C
Non-operating Temperature:	-55~+85°C

Outline Drawings



Size	L	W	H	A	B	C	D	E
mm	48	27	9	40	23.6	8	4.5	2.2
in	1.89	1.063	0.354	1.575	0.929	0.315	0.177	0.087

Unit: mm [in]

Tolerance: ±0.2mm [±0.008in]

How To Order

NBF-14700-15300-40

Customization is available upon request.