

NBF-11487-12000-30

11.487~12GHz, 30dBc

Features:

- * High Stopband Rejection
- * Small Size

Applications:

- * Telecom
- * Laboratory Test
- * Receivers
- * Instrumentation

Electrical

Passband:	11.487~12GHz
Passband Insertion Loss:	2dB max.
Passband Ripple:	1dB max.
VSWR:	1.5 max.
Stopband Attenuation :	10dBc@11.0275GHz min. 30dBc@9~10.5864GHz min.

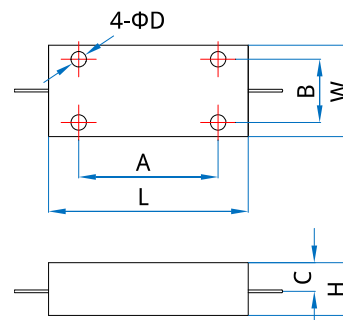
Mechanical

RF Connectors:	SMA Female, removable Φ0.38mm inner pin
Mounting:	4*Φ2.2mm through-hole

Environmental

Operating Temperature:	-40~+70°C
Non-operating Temperature:	-55~+85°C

Outline Drawings



Size	L	W	H	A	B	C	D
mm	25.8	13	7	20.4	9	3.5	2.2
in	1.016	0.512	0.276	0.803	0.354	0.138	0.087

Unit: mm [in]
Tolerance: ±0.2mm [±0.008in]

How To Order

NBF-11487-12000-30

Customization is available upon request.