

## NBM-2000-24000

2~24GHz

**Features:**

- \* Low Conversion Loss
- \* High Isolation

**Applications:**

- \* Wireless
- \* Transceiver
- \* Laboratory Test
- \* Broadcast



### Electrical

RF Frequency:	2~24GHz
LO Frequency:	2~24GHz
LO Input Power:	+7~15dBm
IF Frequency:	DC~4GHz
Conversion Loss:	10dB typ.
Input Power(P1dB):	3dBm typ.
Isolation (LO, RF):	40dB typ.
Isolation (LO, IF):	25dB typ.
Isolation (RF, IF):	25dB typ.
VSWR:	3 typ.

### Absolute Maximum Ratings

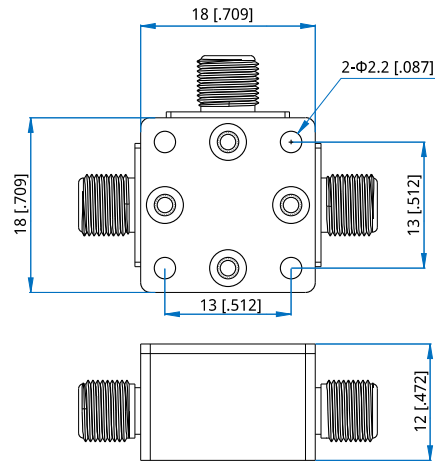
RF Input Power:	+30dBm
IF Current:	30mA

### Mechanical

Size*1:	18*18*12mm 0.709*0.709*0.472in
Connectors:	SMA Female
Mounting:	2-Φ2.2mm through-hole

[1] Exclude connectors.

### Outline Drawings



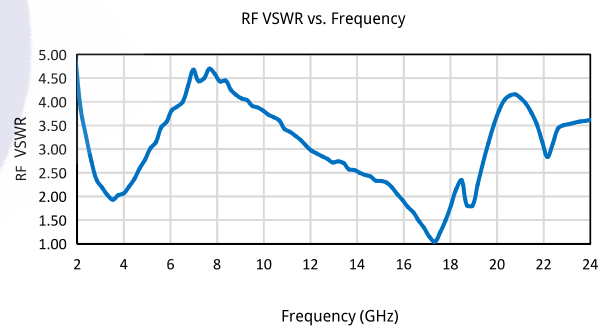
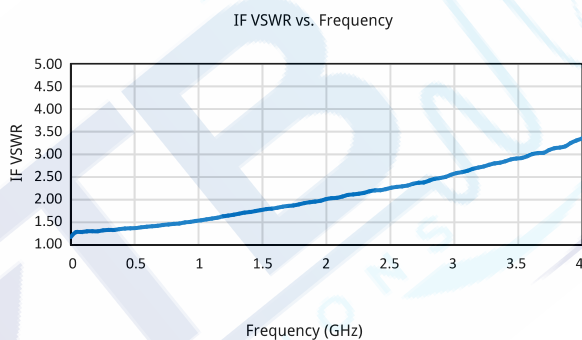
Unit: mm [in]  
Tolerance: ±0.2mm [±0.008in]

### How To Order

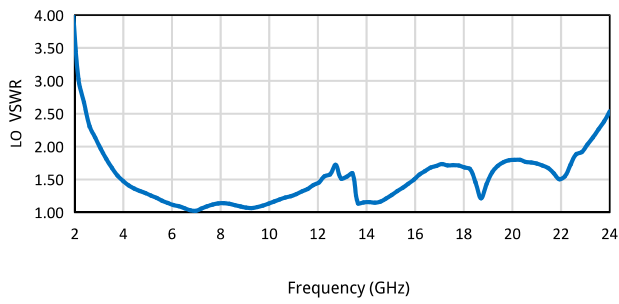
**NBM-2000-24000**

Customization is available upon request.

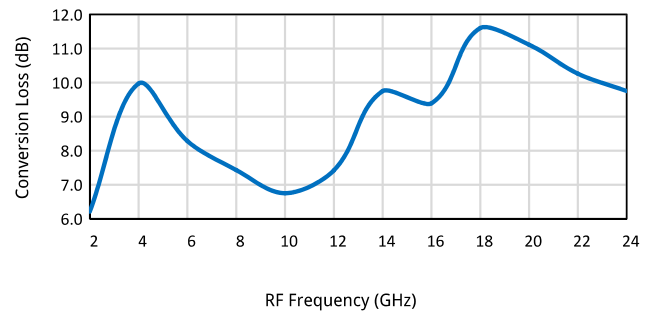
### Typical Performance Curves



LO VSWR vs. Frequency



Downconversion Loss vs. Frequency



Isolation vs. Frequency

