

NPD4-698-2700

4-Way, 0.698~2.7GHz

Features:

- * Small Size
- * Low Insertion Loss

Applications:

- * Amplifiers
- * Mixers
- * Antennas
- * Laboratory Test

Electrical

Frequency:	0.698~2.7GHz
Insertion Loss:	0.8dB max.
Input VSWR:	1.3 max.
Output VSWR:	1.3 max.
Isolation:	20dB min.
Amplitude Balance:	±0.4dB max.
Phase Balance:	±4°
Impedance:	50Ω
Average Power:	50W max. 2W max. as combiner

Mechanical

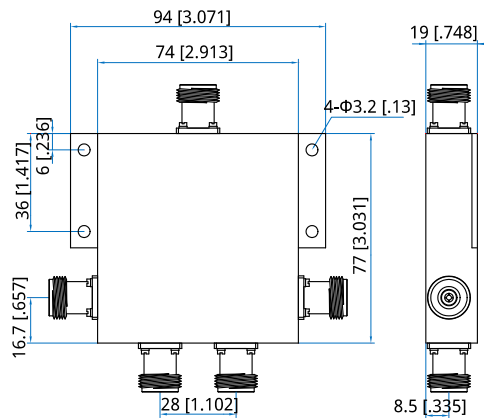
Size ^{*1} :	77*94*19mm 3.031*3.071*0.748in
Connectors:	N Female
Mounting:	4-Φ3.2mm through-hole

[1] Exclude connectors.

Environmental

Operation Temperature:	-35~+75°C
------------------------	-----------

Outline Drawings



Unit: mm [in]

Tolerance: ±0.5mm [±0.02in]

How To Order

NPD4-698-2700

Customization is available upon request.