

NPD4-18000-40000-20-K

4-Way, 18~40GHz

Features:

- * Small Size
- * Low Insertion Loss

Applications:

- * Amplifiers
- * Mixers
- * Antennas
- * Laboratory Test

Electrical

Frequency:	18~40GHz
Insertion Loss:	1.6dB max.
Input VSWR:	1.5 max.
Output VSWR:	1.5 max.
Isolation:	16dB min.
Amplitude Balance:	0.4dB max.
Phase Balance:	±8°
Impedance:	50Ω
Average Power:	20W max. 1W max. as combiner

Mechanical

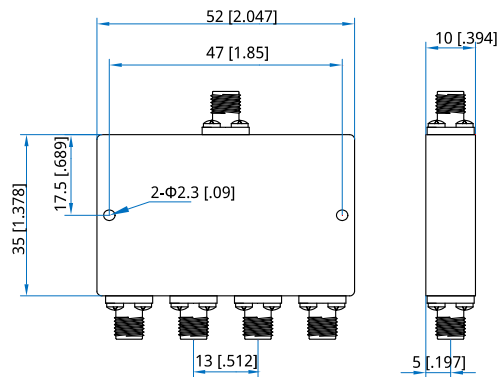
Size ^{*1} :	35*52*10mm 1.378*2.047*0.394in
Weight:	65g
Connectors:	2.92mm Female (Stainless steel)
Mounting:	2-Φ2.3mm through-hole

[1] Exclude connectors.

Environmental

Operation Temperature: -45~+85°C

Outline Drawings



Unit: mm [in]

Tolerance: ±0.5mm [±0.02in]

How To Order

[NPD4-18000-40000-20-K](#)

Customization is available upon request.