

NPD3-433-30-N

3-Way, 0.433GHz

Features:

- * Small Size
- * Low Insertion Loss

Applications:

- * Amplifiers
- * Mixers
- * Antennas
- * Laboratory Test

Electrical

Frequency:	0.433GHz
Insertion Loss:	0.5dB max.
Input VSWR:	1.2 max.
Output VSWR:	1.2 max.
Isolation:	22dB min.
Amplitude Balance:	0.3dB max.
Phase Balance:	±3°
Impedance:	50Ω
Average Power:	30W max. 2W max. as combiner

Mechanical

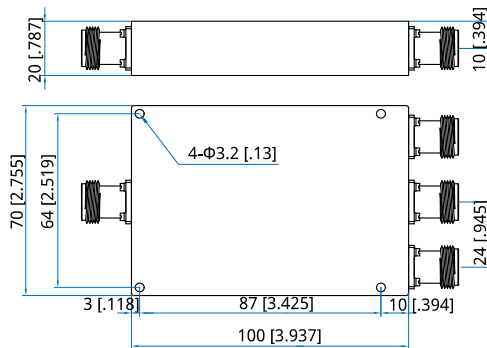
Size ^{*1} :	100*70*20mm 3.937*2.755*0.787in
Weight:	350g
Connectors:	N Female
Mounting:	4-Φ3.2mm through-hole

[1] Exclude connectors.

Environmental

Operation Temperature: -35~+75°C

Outline Drawings



Unit: mm [in]
Tolerance: ±0.5mm [±0.02in]

How To Order

NPD3-433-30-N

Customization is available upon request.

