

## NPD3-0-3000-2-S

3-Way, DC~3GHz, 2W

**Features:**

- \* Small Size
- \* Low Insertion Loss

**Applications:**

- \* Amplifiers
- \* Mixers
- \* Antennas
- \* Laboratory Test

**Electrical**

---

|                    |                |
|--------------------|----------------|
| Frequency:         | DC~3GHz        |
| Insertion Loss:    | 9.5±0.6dB max. |
| Input VSWR:        | 1.25 max.      |
| Output VSWR:       | 1.25 max.      |
| Isolation:         | 9.5dB min.     |
| Amplitude Balance: | ±0.6dB         |
| Impedance:         | 50Ω            |
| Average Power:     | 2W             |

**Mechanical**

---

|                      |                                 |
|----------------------|---------------------------------|
| Size* <sup>1</sup> : | 25.4*22.2*16mm<br>1*0.87*0.63in |
| Connectors:          | SMA Female                      |
| Mounting:            | 2-M2, depth 5mm                 |

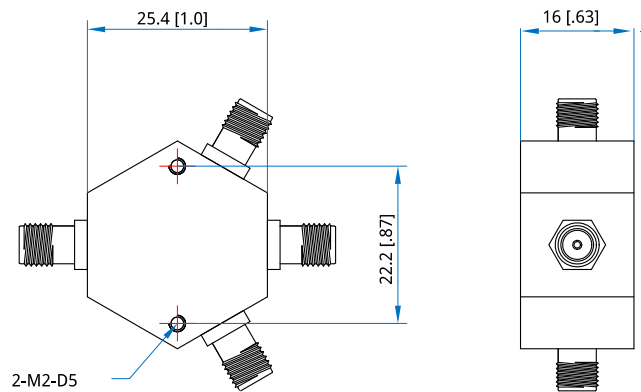
[1] Exclude connectors.

**Environmental**

---

|                        |           |
|------------------------|-----------|
| Operation Temperature: | -35~+75°C |
|------------------------|-----------|

**Outline Drawings**



Unit: mm [in]  
Tolerance: ±0.5mm [±0.02in]

**How To Order**

**NPD3-0-3000-2-S**

Customization is available upon request.

