

NPD2-50-500

2-Way, 0.05~0.5GHz

Features:

- * Small Size
- * Low Insertion Loss

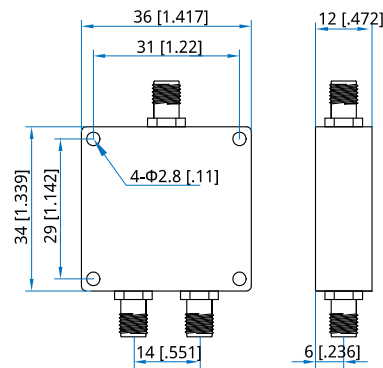
Applications:

- * Amplifiers
- * Mixers
- * Antennas
- * Laboratory Test

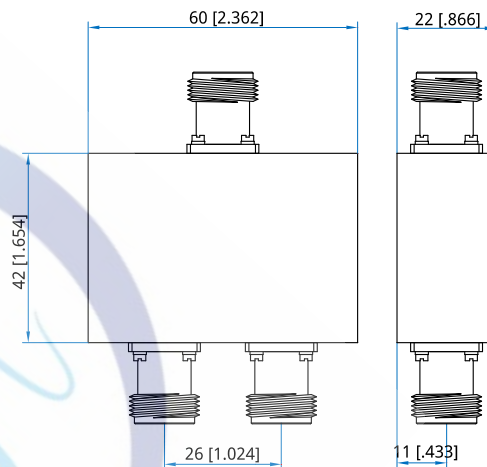
Electrical

Frequency:	0.05~0.5GHz
Insertion Loss:	0.6dB max. (SMA) 0.5dB max. (N)
Input VSWR:	1.3 max. (SMA) 1.2 max. (N)
Output VSWR:	1.3 max. (SMA) 1.2 max. (N)
Isolation:	18dB min. (SMA) 20dB min. (N)
Amplitude Balance:	0.3dB max.
Phase Balance:	±3°
Impedance:	50Ω
Average Power:	1W max. 0.5W max. as combiner

Outline Drawings



Outline A



Outline B

Unit: mm [in]
Tolerance: ±0.5mm [±0.02in]

Mechanical

Mounting: 4-Φ2.8mm through-hole (SMA)

Environmental

Operation Temperature: -35~+75°C

How To Order

NPD2-50-500-X-Y

X: Average power as divider

Y: Connector type

Connector naming rules:

S - SMA Female (Outline A)

N - N Female (Outline B)

Examples:

To order a 2-way power divider, 0.05~0.5GHz, 1W, N female, specify NPD2-50-500-1-N.

Customization is available upon request.