



2-Way Resistive Power Divider

NPD2-0-18000-R5-S

2-Way, DC~18GHz, 0.5W

Features:

- * Small Size
- * Low Insertion Loss

Applications:

- * Amplifiers
- * Mixers
- * Antennas
- * Laboratory Test

Electrical

Frequency:	DC~18GHz
Insertion Loss:	6±1.5dB max.
VSWR:	1.6 max.
Amplitude Balance:	±0.8dB max.
Impedance:	50Ω
Average Power:	0.5W

Mechanical

Size^{*1}: 28*12*24.2mm
1.102*0.472*0.953in

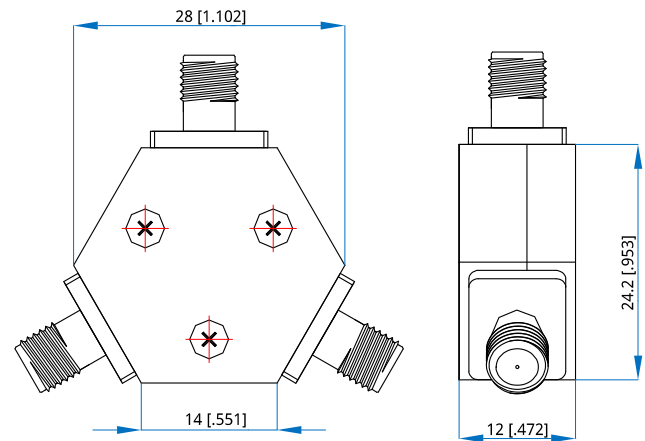
Connectors: SMA Female

[1] Exclude connectors.

Environmental

Operation Temperature: -30~+70°C

Outline Drawings



Unit: mm [in]

Tolerance: ±0.5mm [±0.02in]

How To Order

[NPD2-0-18000-R5-S](#)

Customization is available upon request.